



GLOBE FAN

GLOBEFAN TECHNOLOGY CO., LTD.

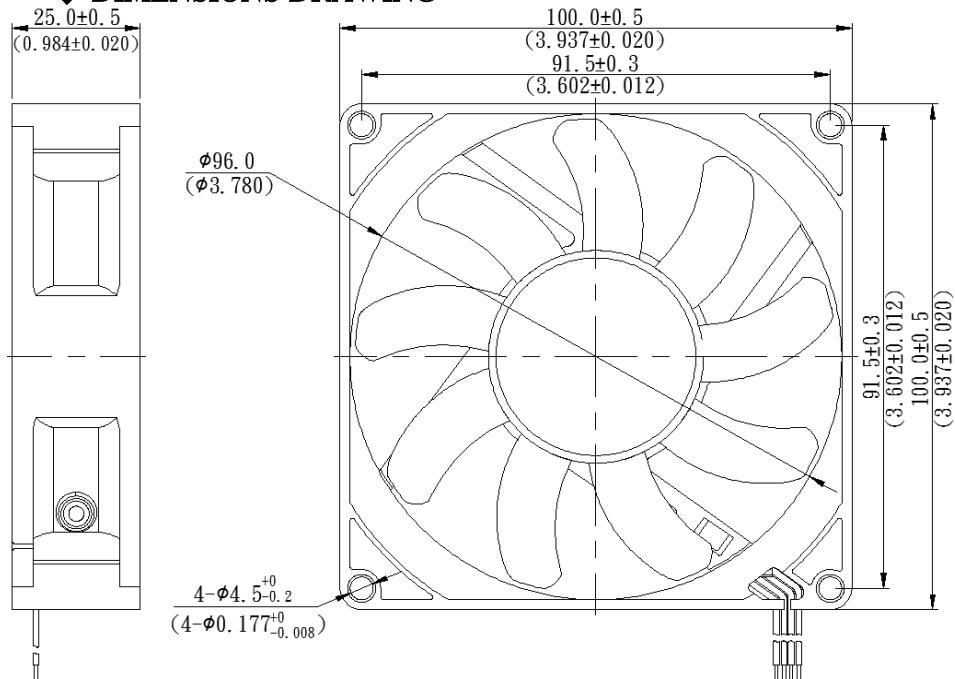
No. 28, 3 Lane Zhongxinjin Road, Jin Industry District Shoei Koo Village,

Da Laang Town, Dungguan City, Guangdong Province, China

Tel : +86 769 83182898~9

Fax : +86 769 83182897

◆ DIMENSIONS DRAWING



* BEARING TYPE

- Ball bearing
- Sleeve bearing

* Electrical Function

- Frequency Generator Output Signal
- RD (Lock Detection) Output Signal
- PWM(Pulse Width Modulation)

* Material

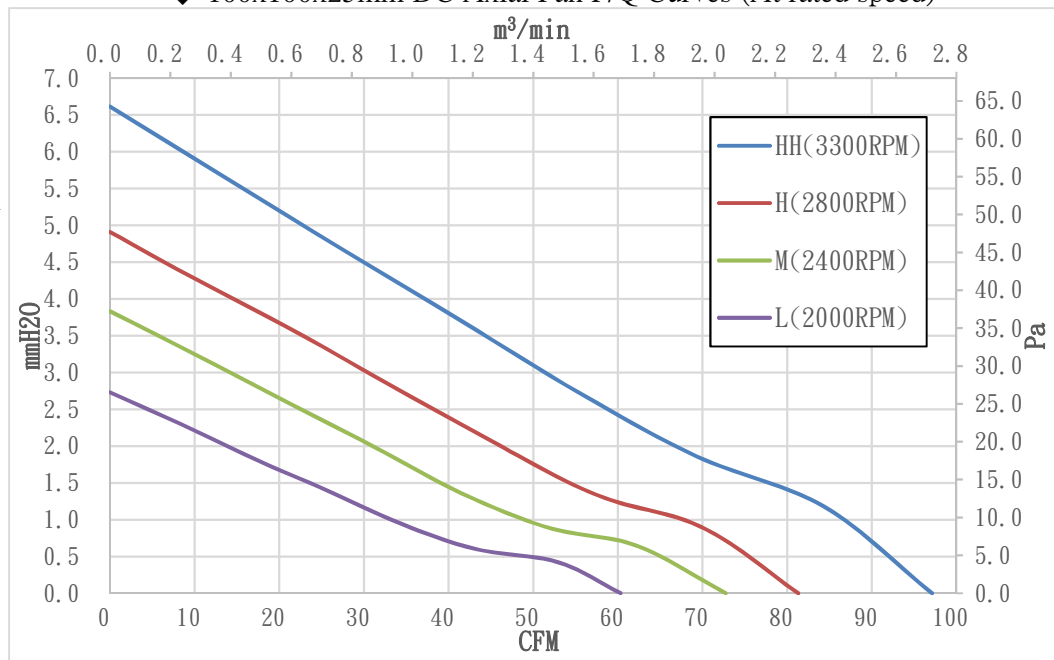
Impeller: Plastic (PBT 30%GF)
Frame : Plastic (PBT 30%GF)

* Lead wires

UL1007 26AWG or Equivalent
Black Wire Negative (-)
Red or Yellow Wire Positive (+)
Green Wire Signal (FG)
Blue Wire (PWM)

* Weight :104.2g (3.68 oz)

◆ 100x100x25mm DC Axial Fan P/Q Curves (At rated speed)



MODEL	Operating Voltage Range	Rated Voltage	Rated Current	Rated Input Power	Speed	Maximum Air Flow		Maximum Air Pressure		Noise
	VDC	VDC	Amp	Watts		m ³ /min	CFM	mmH ₂ O	Pa	
Part No.	VDC	VDC	Amp	Watts	R.P.M	m ³ /min	CFM	mmH ₂ O	Pa	dB(A)
RL4Z B/S1002512HHP-4M	7 ~13.8	12	0.70	8.4	3300±10%	2.75	97.12	6.62	64.87	46.2
RL4Z B/S1002512HP-4M	7 ~13.8	12	0.55	6.6	2800±10%	2.30	81.32	4.91	48.15	39.5
RL4Z B/S1002512MP-4M	7 ~13.8	12	0.45	5.4	2400±10%	2.06	72.74	3.83	37.56	37.2
RL4Z B/S1002512LP-4M	10.8 ~13.8	12	0.25	3.0	2000±10%	1.71	60.32	2.73	26.77	32.8

* Function type is optional.

* The max. air flow and speed are measured in free air; max. air pressure is measured at close to zero air flow.

* Noise is measured in anechoic chamber in free air, one meter from intake side.

* All readings are typical values at rated voltage.

* Specifications are subject to change without notice.